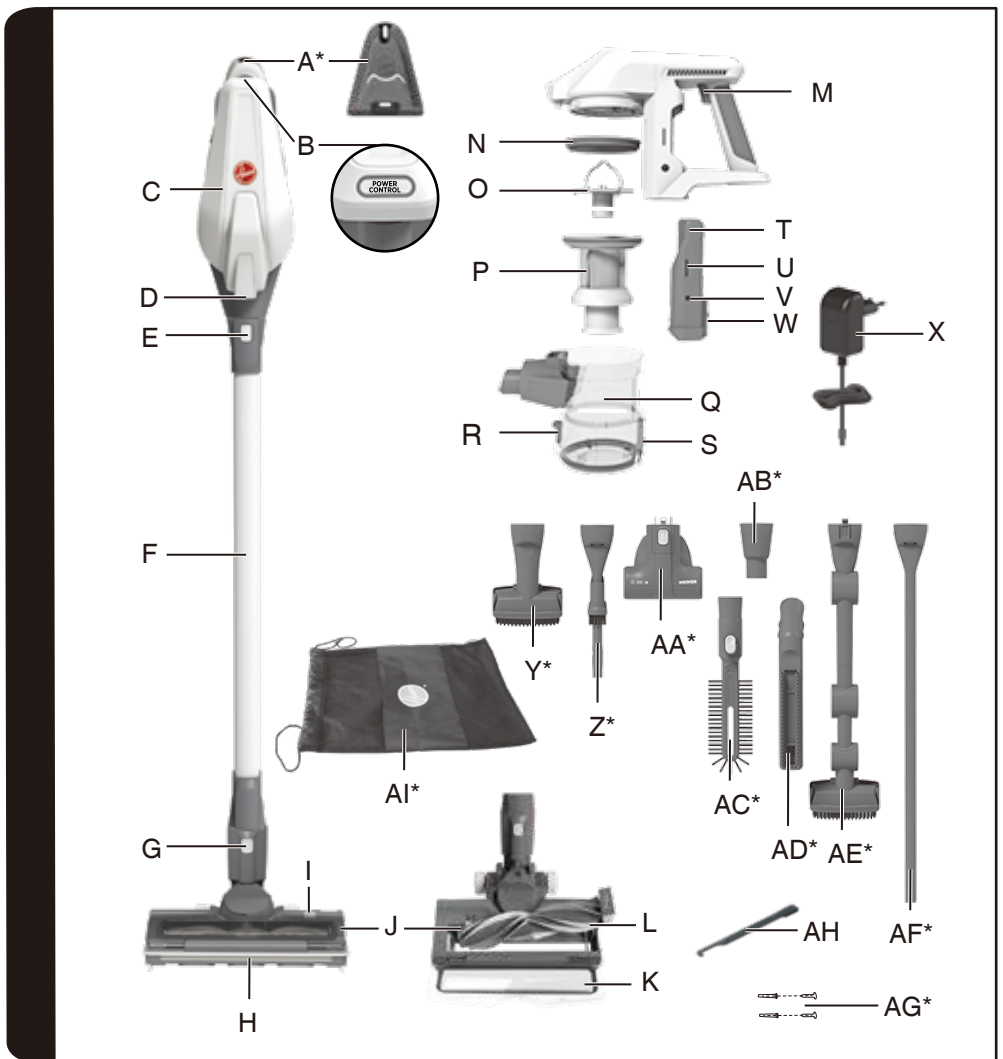
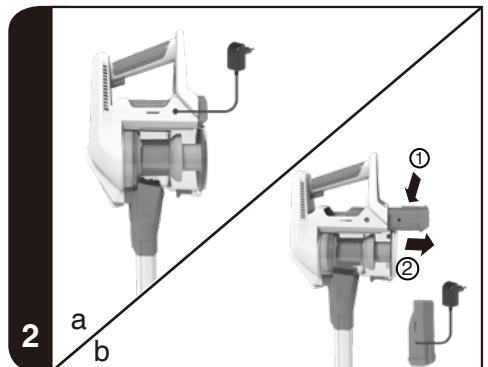
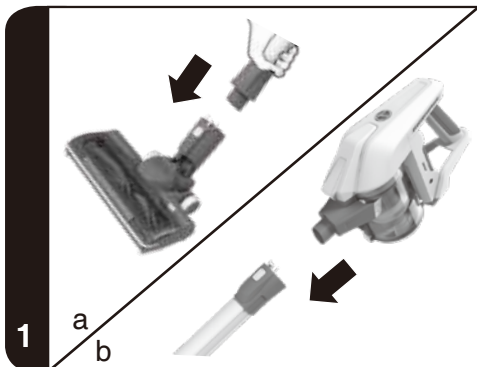


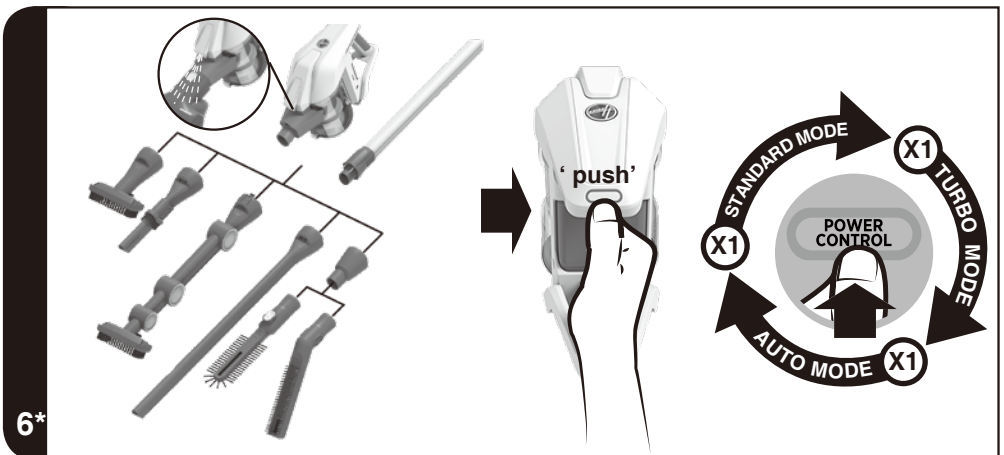
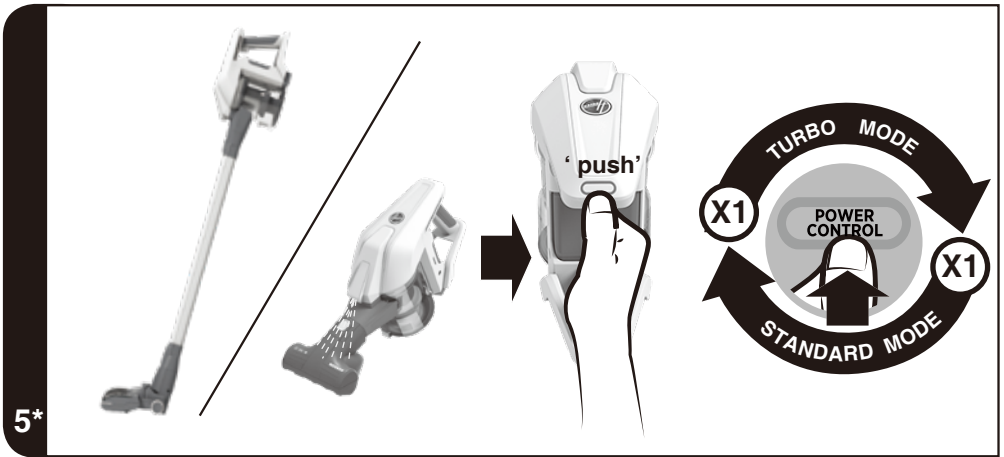
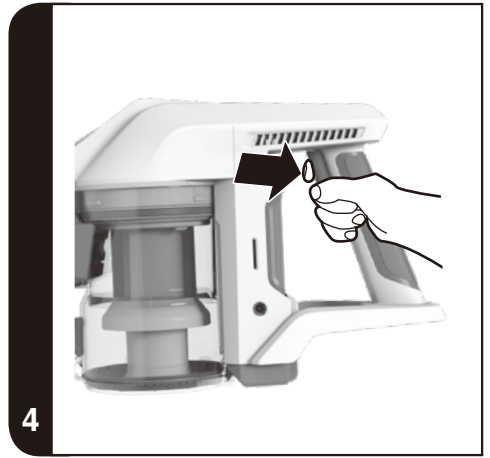
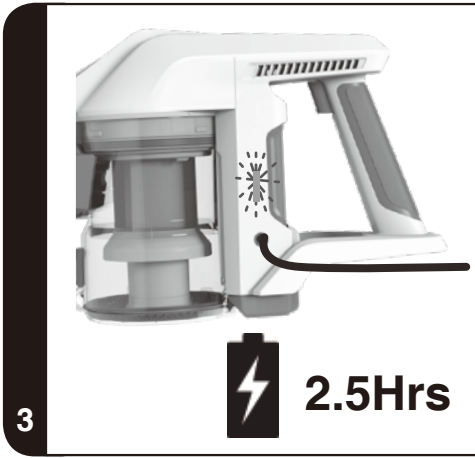


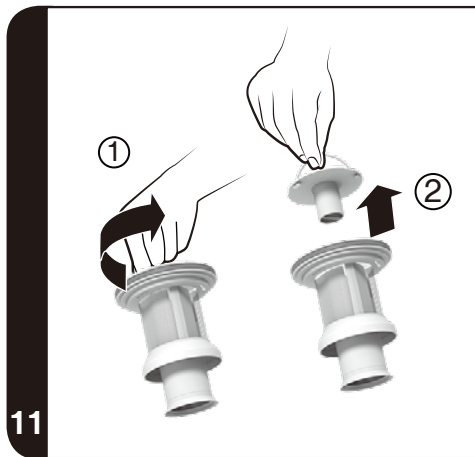
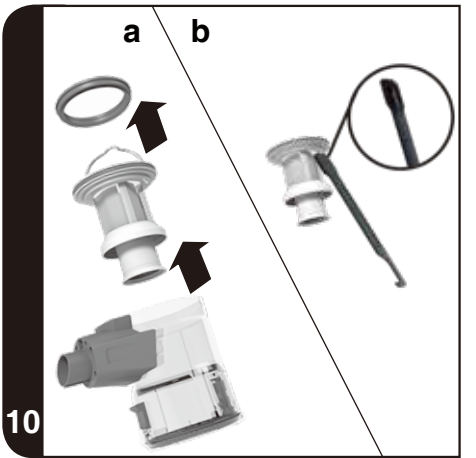
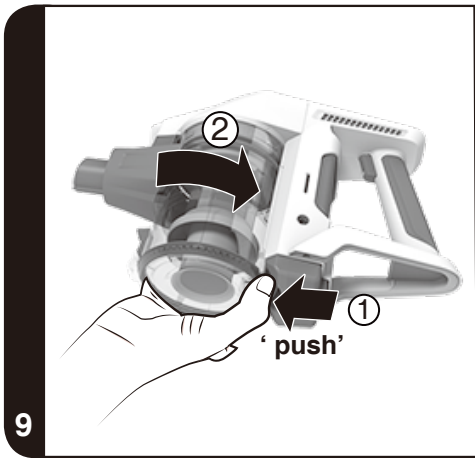
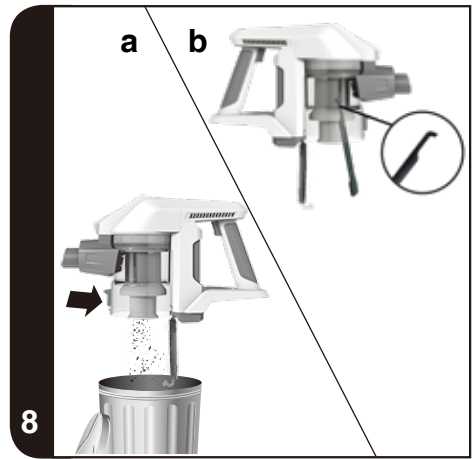
INSTRUCTION MANUAL

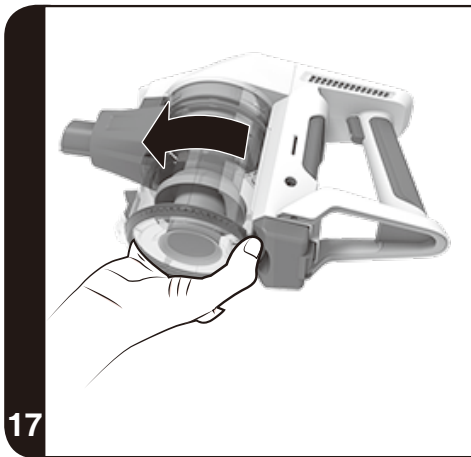
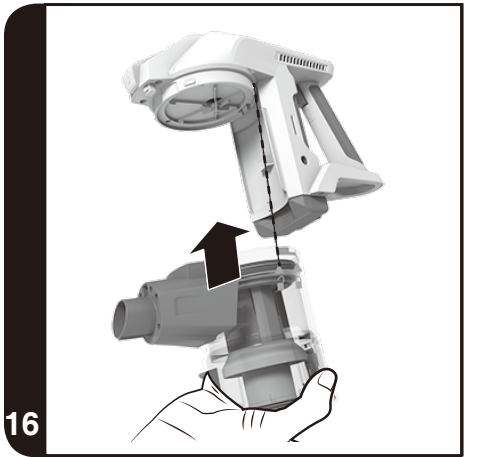
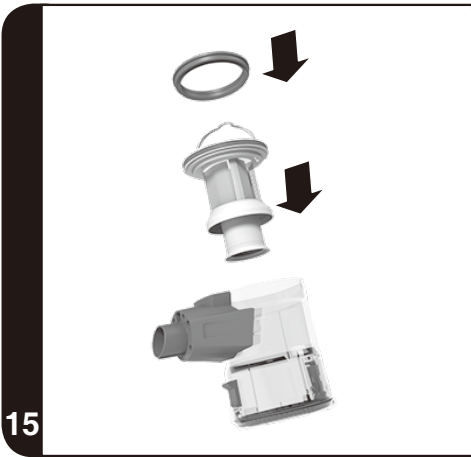
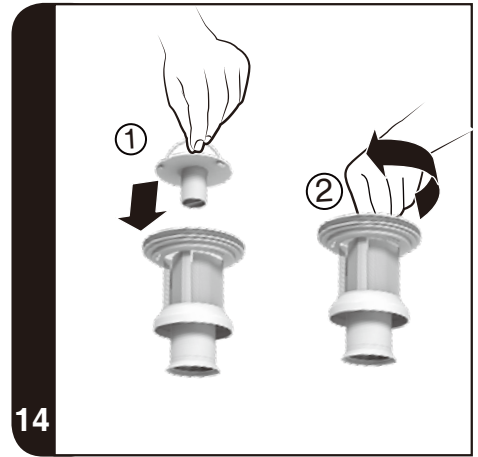


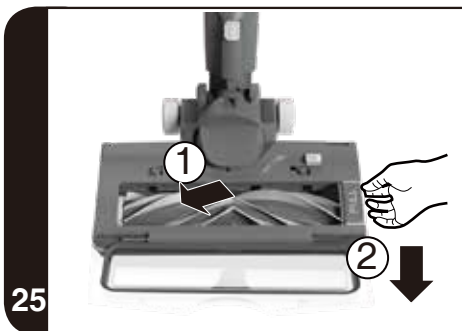
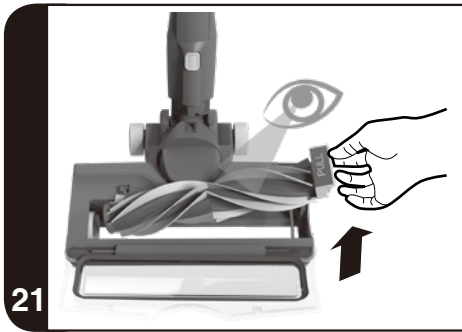
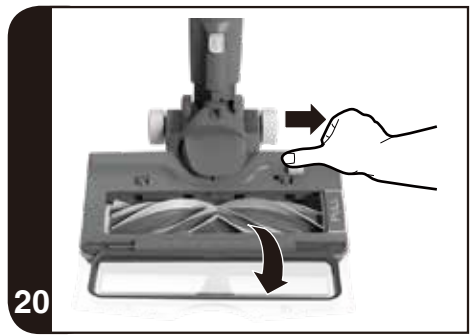
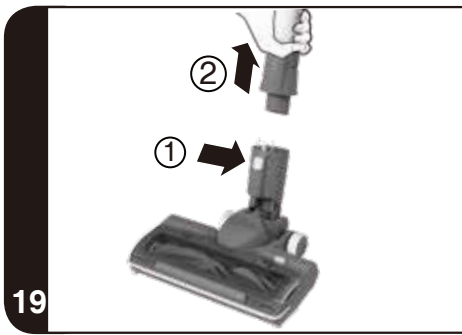
* Certain models only, accessories may vary according to model











INSTRUCTIONS FOR SAFE USE

This appliance should only be used for domestic cleaning, as described in this user guide. Please ensure that this guide is fully understood before operating the appliance.

Always switch off and remove the charger from the socket before cleaning the appliance or any maintenance task.

This appliance can be used by children aged from 8 years and above and persons with reduced physical, sensory or mental capabilities or lack of experience and knowledge if they have been given supervision or instruction concerning use of the appliance in a safe way and understand the hazards involved. Children shall not play with the appliance. Cleaning and user maintenance shall not be made by children without supervision.

If the power cord is damaged stop using the appliance immediately. To avoid a safety hazard, an authorised Hoover service engineer must replace the power cord.

Use only the original charger supplied with the appliance.

Check that your supply voltage is the same as that stated on the charger. This appliance is supplied with a double insulated battery charger which is only suitable for insertion in a 230V (UK 240V) socket outlet.

Plug the charger in to suitable socket outlet and connect the charger jack plug to the appliance.

The battery pack LED light will illuminate Red during charging and will turn white when fully charged.

Re-connect the appliance to the charger after use to recharge the battery.

Never charge the batteries in temperatures above 37°C or below 0°C. It is normal for the charger to become warm to the touch when charging.

Unplug the charger in the event of prolonged absence (holidays, etc.). Recharge appliance again before use as batteries may self discharge over increased periods of storage.

Use only attachments, consumables or spares recommended or supplied by Hoover.

Static electricity: some carpets can cause a small build up of

static electricity. Any static discharge is not hazardous to health. Keep hands, feet, loose clothing and hair away from rotating brushes.

Do not unplug the charger by pulling on the power cord.

Do not use your appliance out of doors or on any wet surface or for wet pick up. Do not pick up hard or sharp objects, matches, hot ashes, cigarette ends or other similar items. Do not spray with or pick up flammable liquids, cleaning fluids, aerosols or their vapours. Do not run over the power cord when using your appliance or remove the plug by pulling on the power cord. Do not continue to use your appliance or charger if it appears faulty. Do not use the appliance to clean animals or people. Do not replace the batteries with non-rechargeable batteries.

Hoover service: To ensure the continued safe and efficient operation of this appliance we recommend that any servicing or repairs are only carried out by an authorised Hoover service engineer.

End of product Life disposal

If the appliance is to be disposed of the batteries must first be removed. The appliance must be disconnected from the supply mains when removing the battery. Dispose of the batteries safely. Run the appliance until it stops because the batteries are fully discharged. Used batteries should be taken to a recycling station and not disposed of with household waste. To remove the batteries, please contact the Hoover Customer Centre or proceed according to the following instructions.

IMPORTANT: Always fully discharge the batteries before removal.

Run the cleaner until the batteries are completely empty. Remove the charger jack plug from the appliance.

Press the battery pack release buttons and slide to remove.

Note: Should you experience any difficulty in dismantling the unit or for more detailed information on treatment, recovery and recycling of this appliance, please contact your local city office or your household waste disposal service.

The Environment:

This appliance is marked according to the European directive 2011/65/EC on Waste Electrical and Electronic Equipment (WEEE). By ensuring this product is disposed of correctly, you will help prevent potential negative consequences for the environment and human health, which could otherwise be caused by inappropriate waste handling of this product. The symbol on the product indicates that this product may not be treated as household waste. Instead it shall be handed over to the applicable collection point for the recycling of electrical and electronic equipment. Disposal must be carried out in accordance with local environmental regulations for waste disposal. For more detailed information about treatment, recovery and recycling of this product, please contact your local city office, your household waste disposal service or the shop where you purchased the product.



This product complies with the European Directives 2014/35/EU, 2014/30/EU and 2011/65/EU.

CANDY HOOVER GROUP S.r.l. Via Privata Eden Fumagalli, 20861 Brugherio (MB) Italy

PRODUCT COMPONENTS

- | | |
|----------------------------------|---|
| A. Wall Mount* | S. Dust Cup Assembly Release Button |
| B. Touch Power Control | T. Battery Pack |
| C. Main Body | U. Battery Pack LED Light |
| D. Auto LED Light | V. Battery Pack Charging Inlet |
| E. Handheld Release Button | W. Battery Pack Release Button |
| F. Tube | X. Charger |
| G. Nozzle Release Button | Y. 2in1 Large dusting and furniture tool* |
| H. Nozzle Front LED stripe | Z. 2in1 Crevice And Dusting Tool* |
| I. Brushbar Release Cover Slider | AA. Mini-Power Nozzle* |
| J. Brushbar Release End Cap | AB. Accessory Adaptor* |
| K. Nozzle Window | AC. Radiator Tool* |
| L. Brushbar | AD. Deep Cleaning Brush* |
| M. Switch ON/OFF | AE. Multi-Function Up To Top Tool* |
| N. Pre-motor Filter | AF. Long Flexible Crevice Tool* |
| O. Single Cyclone Vortex Finder | AG. Wall Mounts Screws* |
| P. Single Cyclone System | AH. Cleaning Tool |
| Q. Dust Cup | AI. Accessories Bag* |
| R. Dust Cup Flap Release Button | |

PREPARING YOUR CLEANER

1. Assemble the tube to the nozzle until you hear it "click" into place. **[1a]**
 2. Assemble the main body unit to the tube until you hear it "click" into place. **[1b]**
 3. Fully charge the appliance battery by connecting the charger jack plug to the battery pack. **[2a]**
Charging time is approximately 2.5Hrs. It is possible also to charge the battery pack when released from the product. **[2b]**
The battery pack LED light will illuminate Red during charging and will turn White when fully charged. **[3]**
- NOTE:** To remove the nozzle press the nozzle release button and pull away from the main body.

NOTE: Use only the charger supplied with your cleaner to recharge.

IMPORTANT: When charging the cleaner must be switched off. You can charge the removable battery pack also when released from the product. It is normal for the charger to become warm to touch when charging.

USING YOUR CLEANER

There are three working modes

- **STANDARD MODE:** When you press the switch On/Off, The cleaner is ready to clean thoroughly with the main motorized nozzle or motorized mini turbo nozzle. **[4]**
- **TURBO MODE:** Press the touch power control on the main body to fully power the product for hard cleaning tasks. **[5]**
- **AUTO MODE:** When the main motorized nozzle or Mini-Turbo Nozzle are removed, the product will automatically adapt to the lowest power setting and turn on the Auto Led light. **[6]**

* Certain Models Only

If more power is required for a harder cleaning task, press the turbo touch button on the main body in order to rotate through the available power modes to suit your tasks.

BATTERY USAGE

When the battery is discharging during the cleaning session, the battery pack LED is white. When the Battery capacity is lower than 5%, the White LED light will begin to Blink.

When this happens you should stop cleaning and immediately recharge your battery.[2]

When charging the product, the switch on/off must be OFF.

It's also possible to charge the battery pack when released from the product.

The charging time of the product is 2.5 Hrs. When the battery is fully charged the LED light on the battery will illuminate white.

NOTE: It is normal for the charger to become warm to touch when charging. Use only the charger supplied with your product.

SAFETY PROTECTION SYSTEM

To ensure the reliability of the product is not affected if used under arduous conditions, the product features with 2 integrated safety protection systems.

1. The Safety protection system will action if the brushbar has a blockage or is locked, once actioned the brushbar will stop rotating, the white LED stripe on the front of the nozzle will blink 5 times. [18] If this happens, simply switch off your product and clean the brushbar obstruction. To resume cleaning, press the on/off button and the product will restart in normal mode.

2. The second Safety protection system will action if the nozzle window is not completely closed before use. If the window is open, the nozzle will not switch on. If this happens, simply switch off your product and ensure the nozzle window is correctly closed. To resume cleaning, press the on/off button and the product will restart in normal mode.

ACCESSORIES*

2IN1 CREVICE AND DUSTING TOOL*, 2IN1 LARGE DUSTING AND FURNITURE TOOL*, LONG FLEXIBLE CREVICE TOOL*, MULTI-FUNCTION UP TO TOP TOOL * AND MINI POWER NOZZLE*

The above accessories can be fitted directly into the main body unit or the tube. [6]

NOTE: To remove the nozzle or main body unit from the tube, press the respective release button and pull apart.

RADIATOR TOOL * AND DEEP CLEANING BRUSH*

The accessory adaptor* must be fitted when using these 2 accessories. [6]

NOTE: The mini-power nozzle is ideal for deep cleaning textile surfaces (i.e. sofas) and pet hair removal. Move it steadily. Backwards and forwards. After using, please remove hair / threads collected on the brush with scissors if necessary.

The long flexible crevice tool is ideal for cleaning in hard to reach areas, underneath furniture and in your car.

The radiator tool is ideal for cleaning inside and around cabinets, radiators and couches.

The deep cleaning brush is useful to clean in tight spaces without scratching surfaces, and inside your car.

The multi-function tool is designed to easily clean delicate surfaces without scratching and all areas that are hard to access or reach. The multi-function tool is made up of three key parts.

1. Crevice tool this is ideal for accessing tight spaces.
2. Dusting brush is ideal for cleaning surfaces without damaging or scratching.
3. Furniture nozzle is ideal for cleaning surfaces like sofa.

ACCESSORY BAG*

Accessories can be stored in the accessory bag.

CLEANING TOOL

The cleaning tool is useful to clean the single cyclone system, dust cup and nozzle.

WALL MOUNT*

Hang the wall mount to the wall, using the two screws included in the product to hang product. [7]

CLEANER MAINTENANCE

Emptying the Dust Cup

1. Press the handheld release button and remove the tube. [1b]
2. Press the dust cup flap release button to release the dust cup flap and empty the contents. [8a]
3. Close the dust cup flap, you will hear a click when fully locked.

NOTE: It is recommended to empty the dust cup after each use or when dust is up to the max fill lines.

* Certain Models Only

Quick Daily Cleaning of Dust Cup

Just open the dust cup flap and remove the dust with the help of the cleaning tool.

Use the hook end to pull out the dust collected inside the dust cup. **[8b]**

Use the brush end to clean the fine dust stuck around the single cyclone system **[10b]**

NOTE: It is recommended to clean the dust cup after emptying.

Cleaning the Dust Cup and Filter

1. Press the tube release button and remove the tube. **[1b]**
2. Press the dust cup flap release button to release the dust cup flap and empty the contents. **[8]**
3. Close dust cup flap, you will hear a click when fully locked.
4. Press the battery pack release button and remove the battery pack. **[2b]**
5. Press the dust cup release button placed on the rear side of the dust cup and turn it anticlockwise pulling away from the unit. **[9]**
6. Remove the Pre-Motor filter pulling the support from the dust cup. **[10]**
7. Remove the single cyclone system pulling the metal ring from the dust cup. **[10]**
8. Pull the single cyclone system and rotate the Single cyclone vortex finder in anticlockwise direction and then take it out. **[11]**
9. Wash the filter and single cyclone system in lukewarm water and leave to dry for 24 hours. **[12,13]**
10. Reassemble once completely dry and refit to the product. **[14,15,16,17]**

NOTE: Do not use hot water or detergents when cleaning the pre motor filter. In the unlikely event of the pre motor filter becoming damaged, fit a genuine Hoover replacement.

Do not use the product without pre motor filter fitted before assembling dust cup to the main body.

IMPORTANT: For optimum performance, always keep your filter clean.

Cleaning the Brushbar and the Nozzle

IMPORTANT: Always switch off the cleaner before changing and cleaning the brushbar.

1. Remove the nozzle from the tube. **[19]**
2. Move the slider to the right and the nozzle window will pop open. **[20]**
3. Fully open the nozzle window to remove the brushbar. **[20]**
4. Hold the brushbar release end cap and remove the brushbar. **[21]**
5. If there is remaining dirt in the brushbar, remove it manually or with the help of the cleaning tool. **[22]**
6. If there is dirt inside the nozzle or around the comb, remove it by using the brush of the cleaning tool. **[23]**
7. To ensure nozzle is fully clear of any obstructions, turn the nozzle over and check along the bottom area. If required, clean this area using the Hook of the cleaning tool provided. **[24]**
8. Turn the nozzle to the initial position and re-fit the brushbar. The brushbar can only fit in one direction and press the end slightly to make sure the brushbar is in place. **[25]**
9. Close the window by pressing the middle area of window until you hear it "click" into place. Check the window is completely locked by pressing on both sides. **[26]**

NOTE: Please ensure the nozzle window is completely closed before use. If the window is open, the nozzle will not switch on.

Replacing the Batteries

This cleaner is fitted with a rechargeable lithium ion battery pack which is replaceable.

WARNING: Only use approved replacement parts for your cleaner. Using parts not validated by Hoover are dangerous and will invalidate your guarantee.

WARNING: Do not try to open the battery pack and repair it by yourself.

1. Press the battery pack release button and pull the battery outside. **[2b]**
2. Remove the old battery pack and replace with the new battery pack.
3. Dispose of the batteries safely. Used batteries should be taken to a recycling station and not disposed of with household waste

TROUBLE SHOOTING

Should you have any problem with you cleaner, follow this simple check list before calling the Hoover Customer Service Centre:

A. Cleaner does not switch on

- Check if the cleaner is charged
- Check if the battery pack is assembled in place.

B. Cleaner stop working

- Check if there is an obstruction in the **brushbar**, clear it and ensure the battery pack is removed. Once it is done simply press the swich ON/OFF, the product will restart again.
- Empty the dust cup and wash the pre-motor filter, **Single Cyclone**, **Vortex Finder** and cyclone separator.
- Remove nozzle and tube check for any blockages in the duct.

C. Loss of suction or no suction

- Empty the dust cup and wash the pre-motor filter and Single Cyclone system.
- Remove nozzle and tube check for any blockages in the duct.

D. Batteries cannot be charged

- Contact Hoover customer service to arrange battery replacement.
- If the problem persists, contact the Hoover customer service center
- This may be a result of very long storage periods (over half year).

E. The nozzle doesn't work

- Check if the nozzle window is completely closed.

HOOVER SPARES AND CONSUMABLES

Always replace parts with genuine Hoover spares. These are available from your local Hoover dealer or direct from Hoover. When ordering parts always quote your model number.

YOUR GUARANTEE

The guarantee conditions for this appliance are as defined by our representative in the country in which it is sold. Details regarding these conditions can be obtained from the dealer from whom the appliance was purchased. The bill of sale or receipt must be produced when making any claim under the terms of this guarantee.

IMPORTANT: The battery in this cleaner is guaranteed for 6 months from the date of purchase. After 6 months the customer is liable for the cost of a new battery.

Subject to change without notice.

